

PROGENY
VANTAGE®



The Future of Digital Panoramic Imaging Moves Forward.

The Progeny Vantage® Digital Panoramic System has been designed to improve the way you work. With a full featured, Windows® computer integrated into the VantageTouch® operator panel, Vantage gives you the flexibility to prepare and deliver diagnostic images chairside, giving you more time with the patient for positioning and image review.

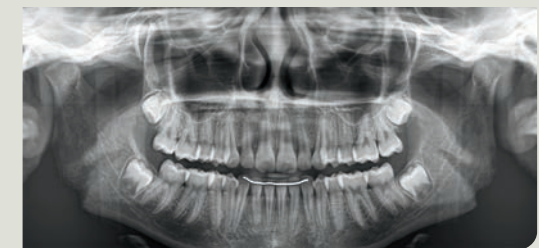
The conveniently-located alignment tools are easy to use, facilitating patient positioning for a quality panoramic image. A preview of the captured image is immediately displayed on the VantageTouch® operator panel, presenting the information required to assess image capture prior to releasing the patient.

From exam set-up to image review, the Progeny Vantage® Panoramic System delivers the features necessary to support efficient imaging workflow in your practice and better patient care.

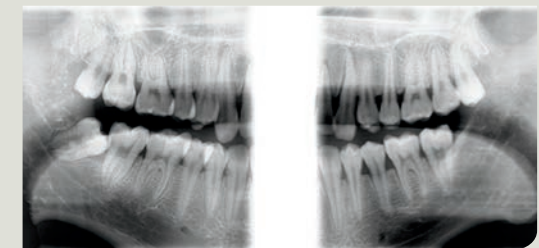


The Vantage Panoramic System delivers high-value features standard on every system.

- Five pre-programmed exam settings, including bitewing, minimize exam set-up time and allow routine diagnostic exams to be performed extraorally for improved clinical efficiency and patient experience
- Progeny Clarity™ Enhanced Filter Set provides superior diagnostic imaging quality
- Exclusive Focal Trough Alignment reminder assists in consistent patient positioning
- Progeny® Imaging software included for download on an unlimited number of operatory workstations with no additional user fees
- Exclusive VantageTrust™ remote support and training service offered at no charge for the first 60 days of use
- Ceph upgradeable for expanded extraoral exam capabilities
- The Progeny Vantage® Panoramic System is proudly designed and manufactured in the USA



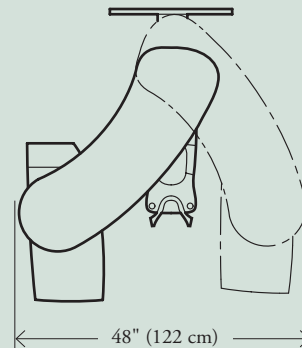
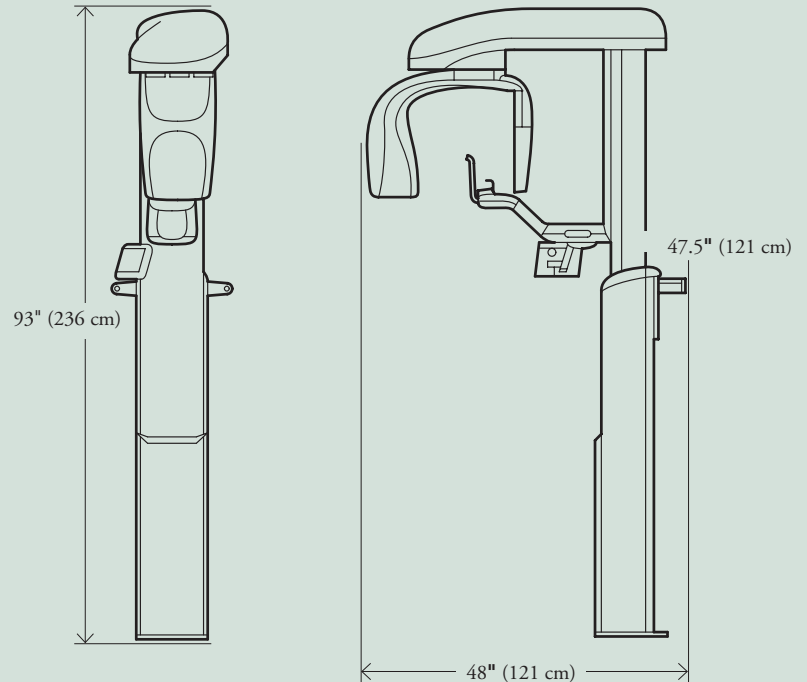
Adult Panoramic



Bitewing

Specifications

Generator:	High frequency, constant potential
Filtration:	3.2mmAL
Line current:	15A at 120VAC, 8A at 230VAC
Sensor type:	CCD digital
SID:	500mm
Focal spot:	0.5mm
mA:	4 - 14 mA +/- 20%
kV:	54 - 84 kV +/- 10%
Spinal compensation:	Automatic kV adjustment
Patient entry:	Field Configurable
Panoramic programs:	Adult panoramic Enhanced panoramic TMJ, open and closed Bitewing Pediatric panoramic Vertical segmentation
Control:	LCD Touch Screen
Mounting options:	Wall-mount bracket Floor installation base (optional)
Weight:	220 lb (99.79 kg) Ceph upgrade capability



Network Requirements

All communication components within the practice network are required to operate at the rate of 100 megabits per second or higher.

Progeny® Imaging Software Requirements: please see progenydenal.com. Specifications are subject to change without notice.

	Actual Product Dimensions	Minimum Operational Dimensions	Optimal Operational Dimensions
Width	48" (122 cm)	52" (132 cm)	56" (142 cm)
Depth	48" (122 cm)	52" (132 cm)	73" (185 cm)
Height	93" (236 cm)t	93" (236 cm)	93" (236 cm)



Progeny® products are proudly designed and manufactured in the USA.

© 2013 Midmark Corporation
675 Heathrow Drive Lincolnshire, IL 60069
847-415-9800 Toll-free 888-924-3800

All Rights Reserved Printed in the USA
ML-00239 Rev B



Because we care.